

Application	Interrupted	Uninterrupted
Thermal Current Rating (I _{th})	100A	125A
Intermittent Current Rating:		
30% Duty	185A	230A
40% Duty	160A	200A
50% Duty	140A	175A
60% Duty	130A	160A
70% Duty	120A	150A
Rated Fault Current Breaking Capacity (I _{cn}) 5ms Time Constant: (in accordance with UL583*)		
SW80	600A at 48V	
SW80B	600A at 80V	
Rated Fault Current Breaking Capacity (I _{cn}) Resistive Load: (in accordance with UL583*)		
SW80	190A at 60V D.C.	
SW80B	190A at 96V D.C.	
Maximum Recommended Contact Voltages (U _e):		
SW80	48V D.C.	60V D.C.
SW80B		96V D.C.
Typical Voltage Drop per pole across New Contacts at 100A		40mV
Mechanical M.T.B.F		>5 x 10 ⁶
Coil Voltage Available (U _s) (Rectifier board required for A.C.)		From 6 to 240V D.C.
Coil Power Dissipation:		
Highly Intermittent Rated Types		20 - 30 Watts
Intermittently Rated types		15 - 20 Watts
Prolonged Rated Types		13 - 15 Watts
Continuously Rated Types		7 - 13 Watts
Maximum Pull-In Voltage (Coil at 20° C) Guideline:		
Highly Intermittent Rated types (Max 25% Duty Cycle)		60% U _s
Intermittently Rated types (Max 70% Duty Cycle)		60% U _s
Prolonged Operation (Max 90% Duty Cycle)		60% U _s
Continuously Rated Types (100% Duty Cycle)		66% U _s
Drop-Out Voltage Range		10 - 25% U _s
Typical Pull-In Time		20ms
Typical Drop-Out Time (N/O Contacts to Open):		
Without Suppression		5ms
With Diode Suppression		50ms
With Diode and Resistor (Subject to resistance value)		8 - 20ms
Typical Contact Bounce Period		3ms
Operating Ambient Temperature		- 40°C to + 60°C
Guideline Contactor Weight:		
SW80		350 gms
With Auxiliary		+ 20 gms
With Blowouts		+ 50 gms
Auxiliary Thermal Current Rating		5A
Auxiliary Contact Switching Capabilities (Resistive Load):		
SW80C	SW80A	
	5A at 24V D.C.	
	2A at 48V D.C.	
	0.5A at 240V D.C.	
Advised Connection Sizes for Maximum Continuous Current		
Copper busbar		80mm ² [0.124inch ²]
Cable		Rated suitable for Application

Key: ▾ = Interrupted ▴ = Uninterrupted

Note: Where applicable values shown are at 20° C

* Please check our web site for product UL status

- Performance data provided should be used as a guide only. Some de-rating or variation from figures may be necessary according to application.
- Thermal current ratings stated are dependant upon the size of conductor being used
- For further technical advice email: technical@albrightinternational.com
- Albright reserve the right to change data without prior notice

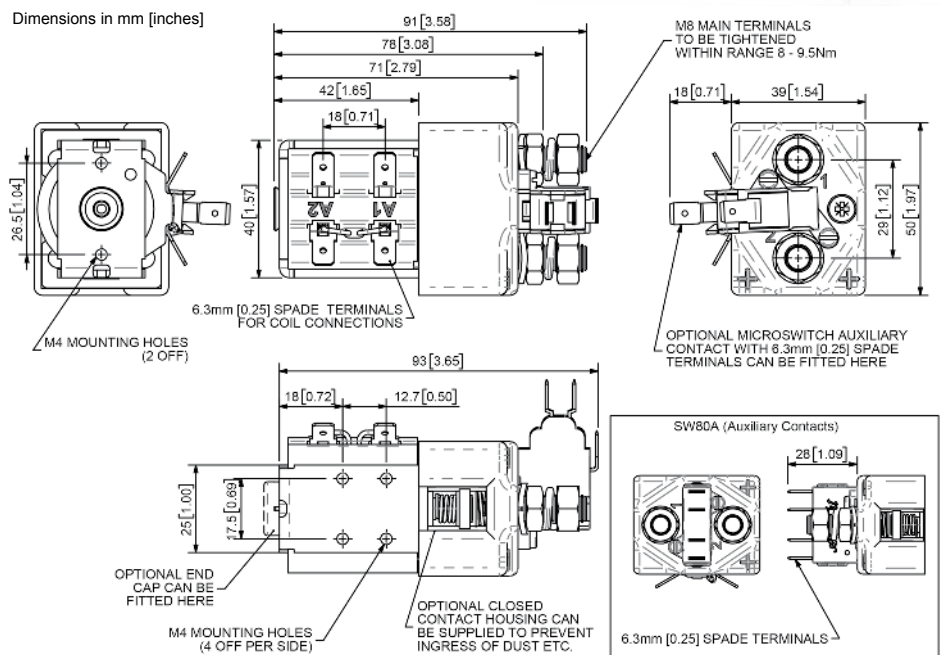
The SW80 has been designed for direct current loads, including motors as used on electric vehicles such as industrial trucks, and telecom and power distribution applications. Developed for both interrupted and uninterrupted loads, the SW80 is suitable for switching Resistive, Capacitive and Inductive loads.

- Interrupted** current - opening and closing on load with frequent switching (results in increased contact resistance).
- Uninterrupted** current - no or infrequent load switching requirements (maintains a lower contact resistance).

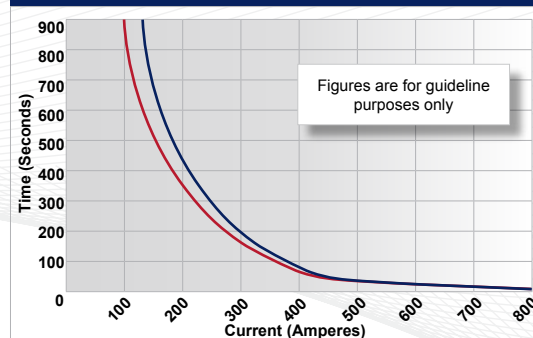
The SW80 features single pole double breaking main contacts with silver alloy tips, which are weld resistant, hard wearing and have excellent conductivity. The SW80 has M8 stud main terminals and 6.3mm spade coil connections. Mounting is via M4 tapped holes or mounting brackets, either supplied fitted, or as separate items. Mounting can be horizontal or vertical, when vertical the M8 contact studs should point upwards. If the requirement is for downwards orientation we can adjust the contactor to compensate for this.



SW80



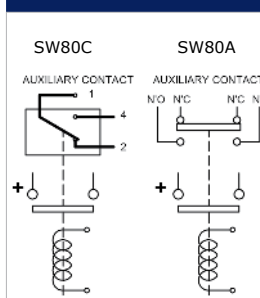
SW80 Contactor Performance



Contact Performance Key:

- Interrupted Current
- Uninterrupted Current

Connection Diagram



SW80 Available Options

General	Suffix
Auxiliary Contacts	○ A
Auxiliary Contacts - V3	○ C
Magnetic Blowouts†	○ B
Magnetic Blowouts - High Powered†	○ B
Armature Cap	○
Mounting Brackets (See Stud Series Catalogue)	○
Magnetic Latching† (Not fail safe)	○ M
Closed Contact Housing‡	○
Environmentally Protected IP66 (see SW80P Catalogue sheet)	○ P
EE Type (Steel Shroud)	○ EE
Contacts	
Large Tips	○ L
Textured Tips	○ T
Silver Plating	X
Coil	
AC Rectifier Board (Fitted)	○
Coil Suppression†	○
Flying Leads	○ F
Junior Power Timer Connector	○
Manual Override Operation	○
M4 Stud Terminals	X
M5 Terminal Board	○
Vacuum Impregnation	○

Key: Optional ○ Standard ● Not Available X
 † Connections become polarity sensitive
 ‡ Open Housing Available